



■ Features

- Capable of detecting both black and white smoke
- Low profile, and stylish design
- OMNIVIEW™ 360 degrees LED indicator
- Remote indicator output
- Address selectable from a range of 1 to 254
- Provide with a dust cover
- Sensitivity drift compensation feature
- Selectable sensitivity from three levels
- Low monitoring current
- Reduce cooking nuisance alarms
- Approved to UL268 7th edition

■ Description

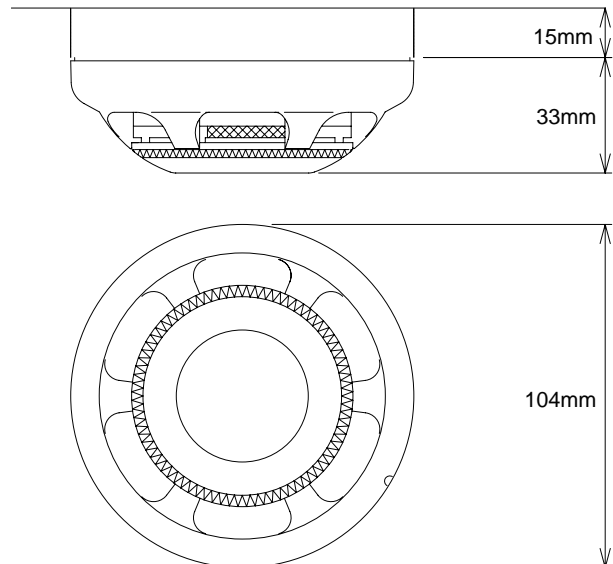
The EVA-PY3 is a UL268 7th edition approved analog addressable photoelectric smoke detector. Advanced sensing algorithms by single smoke sensor analyzes the type of smokes and reduce nuisance alarms. The detector is compatible with the NITTAN SPERA series of fire alarm control panels.

Stylish designed and low profile, also the detector is equipped with OMNIVIEW™ indicator, which provides 360 degrees of alarm status visibly by red light.

Detector address is selectable from the range of 1 to 254, and programmed by using the EVA-AD2 hand-held address-setting tool. A remote LED indicator can be connected to the detector Terminal 3 (RIL) directly.

The EVA-PY3 monitors smoke sensitivity inside a smoke chamber, and the drift compensation feature regularly adjust it to maintain the appropriate range

■ Dimensions



■ Mounting Base Models

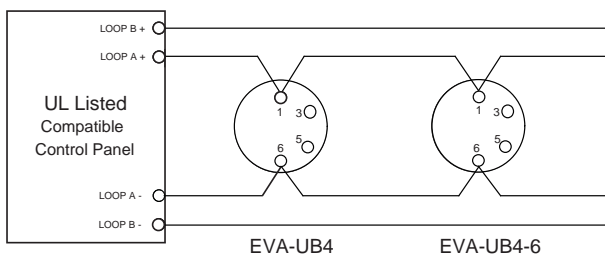
Model	Description	Instruction Manuals	Diameter	Number of Terminals
EVA-UB4	Standard 4" base	DW1401959_K2	104 mm (4 inch)	4
EVA-UB4-6*	6" base	DW1401959_K2	160 mm (6 inch)	4
EVA-S6 Base	Addressable sounder base	DW1401960_K2	160 mm (6 inch)	5
EVA-STB-RL	Relay base	DW1401853_K2	104 mm (4 inch)	6
EVA-STB-SCI	Short circuit isolator base	DW1401852_K2	104 mm (4 inch)	4
STBA-ADP**	Base adapte plate	DW1402124_K1	160 mm (6 inch)	NONE

* The EVA-UB4-6 base is intended for applications where a 4 inch square or octagonal electrical junction box is required.

** The STBA-ADP base adapter plate is intended for the EVA-STB-RL relay base and EVA-STB-SCI short circuit isolator base for applications where a 4 inch square or octagonal electrical junction box is required.

■ Wiring and Terminals

SLC Line impedance shall be less than 50Ω, and the maximum length is 2km. Use cable AWG12-20 for wiring. The EVA-PY3 has three terminals and each terminal features are described in table below:



Terminal	Description
1	SLC Positive
6	SLC Negative
3	Use for EVA-STB-RL relay base

■ Specifications

Specifications	EVA-PY3
Detector Element	Light Emitting Diode, Photo Diode
LED Visual Indicator	Standby - Flashing green LED Alarm - Solid red LED with flashing green
Operating Voltage	20 VDC to 38 VDC Peak
System Voltage	35 VDC
Standby Current	200 μA
Alarm Current (with red LED)	6 mA
Sensitivity	1.06 %/Ft. to 1.9 %/Ft.
Operating Temperature	-10 °C to +55 °C (14 °F to 131 °F)
Storage Temperature	-40 °C to +70 °C (-40 °F to 158 °F)
Relative Humidity	≤ RH 95 % non-condensing
Addressing Method	Soft addressing, Non-Volatile EEPROM
Address	1 to 254 (decimal)
Maximum quantity per loop	254 units
Dimensions	φ 104 mm x H 33 mm (Detector head only) φ 104 mm x H 48 mm (Detector head and EVA-UB4 Base)
Weight	115 g (Detector head only) 175 g (Detector head and EVA-UB4)
Standard	UL268 7th Edition

All specifications are subject to change without any notice.
For more information, contact with NITTAN.

NITTAN

54-5, 1-chome, Sasazuka,
Shibuya-ku, Tokyo 151-8535, Japan
TEL: +81-3-6407-9861 FAX: +81-3-5465-5077

Distributed By