

## LOCAL COMBINATION BOX WITH FLAT CALL POINT AND ALARM BELL SUT-MB Series

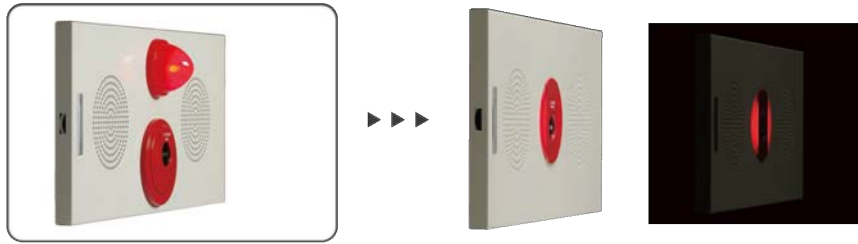


### ■ Features

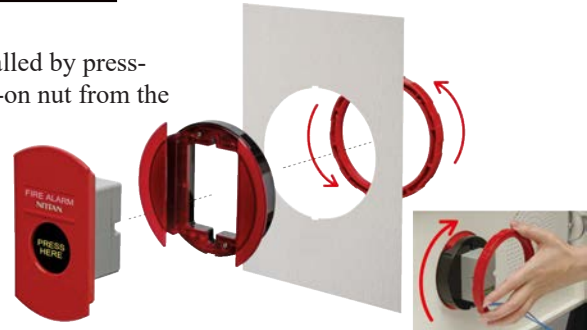
- Equipped with alarm bell, indication lamp and flat type manual call point.
- Can be installed vertically or horizontally
- Easy installation and cable wiring by built-in terminal block.
- Surface and Recessed mountings are available.

### ■ Space-Saving, Low-Profile Flat Design

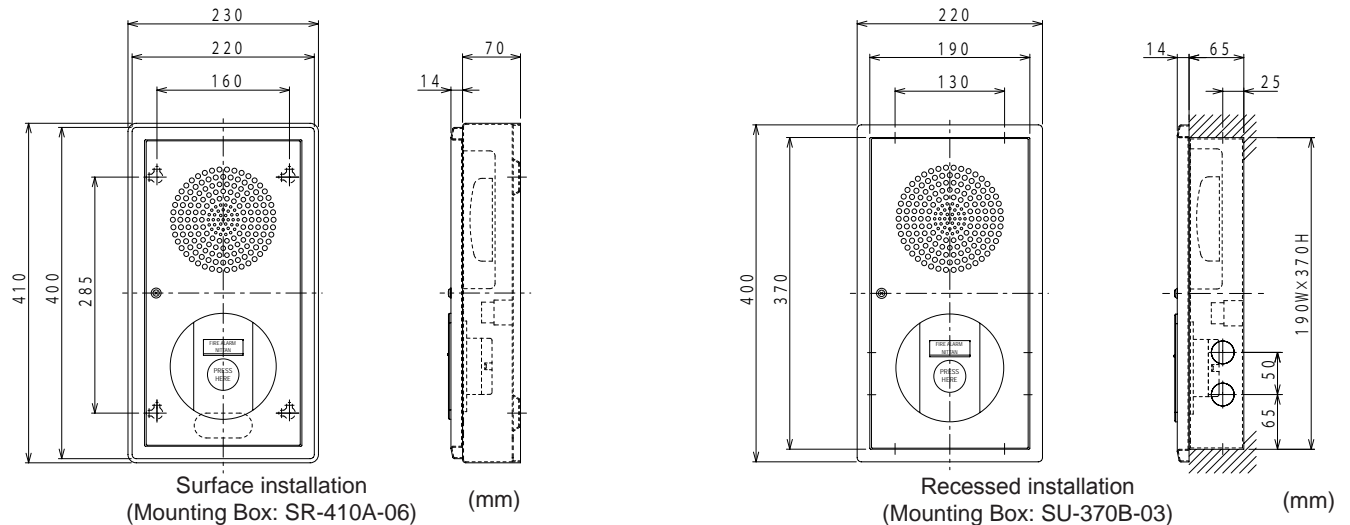
The flat-type manual call point with an indicator lamp has been redesigned to reduce the protrusion from the wall to just 3 mm, ensuring that it does not obstruct walking paths or take up valuable corridor space.



The flat-type manual call point with indicator lamp can be easily installed by pressing it into place from the front of the panel and securing it with a clip-on nut from the back. No welding or screws are required.



### ■ Drawings

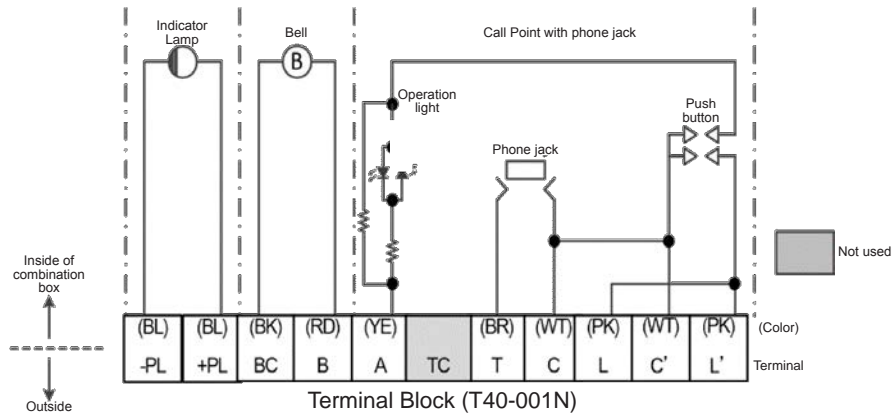


NOT TO BE USED FOR INSTALLATION PURPOSES.

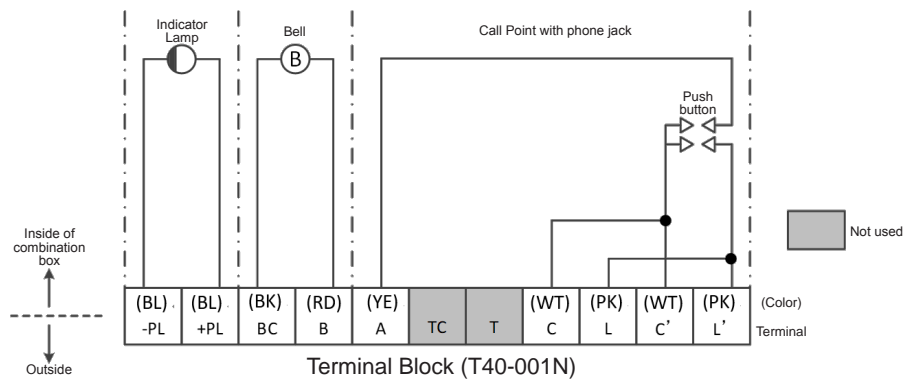
Nittan reserves the right to make changes at any time without notice in prices, colours, materials, components, equipment, specifications and models and also to discontinue models.

## ■ Wiring Diagram

Wiring to conventional 1PM series FACP



Wiring to conventional 2PD series FACP



## ■ Specifications

Specifications		SUT-1MB-40-01(-E)*1	SUT-2MB-40-01(-E)	SUTW-1MB-40-01(-E)	SUTW-2MB-40-01(-E)
Indoor / Outdoor		Indoor		Outdoor	
Contained	Manual Call Point	1MM1W-PL	2MM1W-PL	1MM1W-PL	2MM1W-PL
	Alarm Bell	BD-6-24-11			
Terminal Block		T40-001N (Screw type)			
Box	Surface mounting	SR-410A-06			
	Recessed mounting	SU-370B-03			
Telephone Jack		Yes	N/A	Yes	N/A
Operating Temperature		-10 °C to +50 °C			
Box Material		Steel			
IP Rating		Equivalent to IPX3			

\*1. Suffix "-E" means English version, without "-E" means Japanese version

Distributed By

All specifications are subject to change without any notice.  
For more information, contact with NITTAN.

**NITTAN**

54-5, 1-chome, Sasazuka,  
Shibuya-ku, Tokyo 151-8535, Japan  
TEL: +81-3-6407-9861 FAX: +81-3-5465-5077