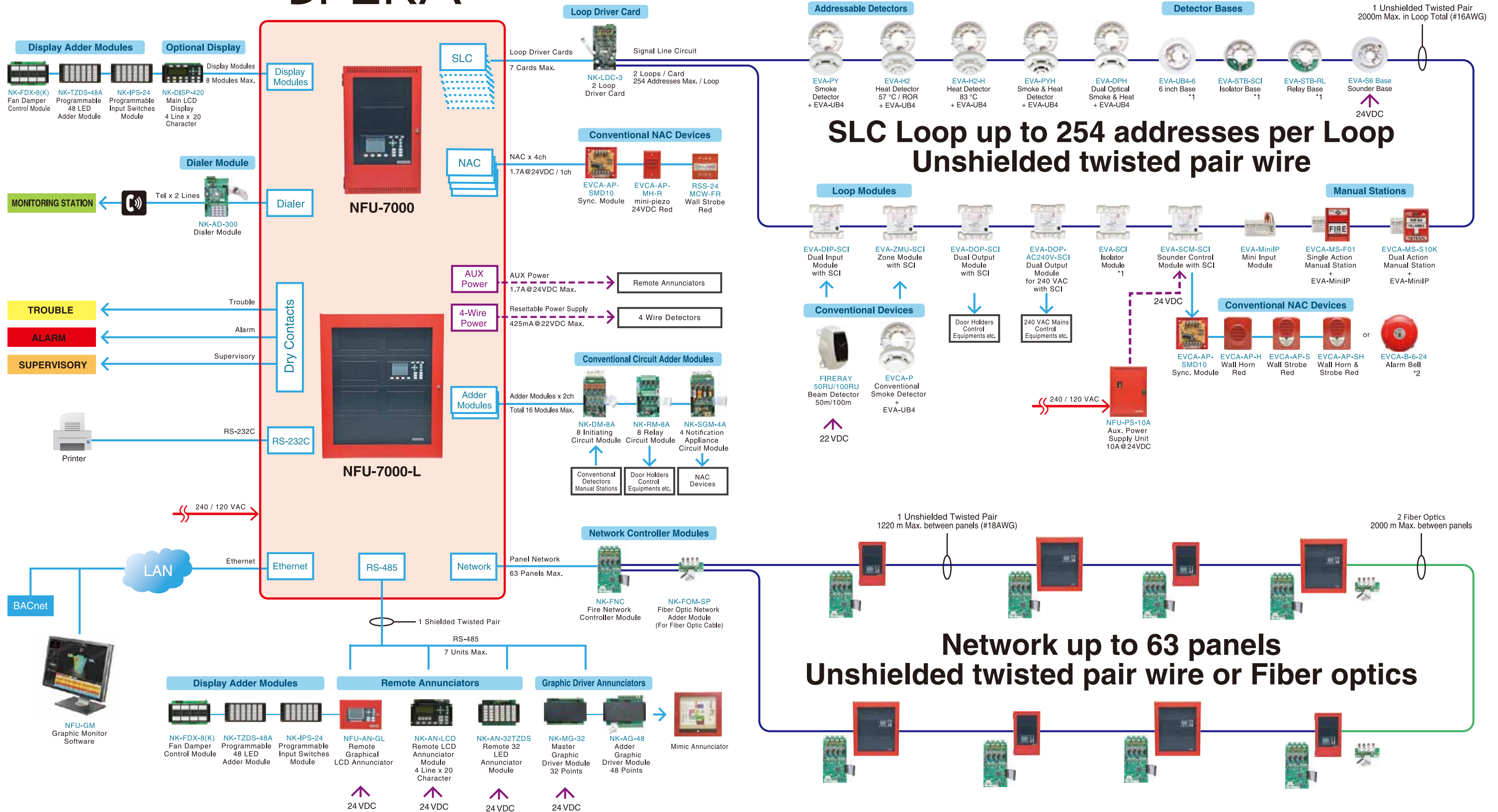


SYSTEM CONFIGURATION



SLC Loop up to 254 addresses per Loop
 Unshielded twisted pair wire

Network up to 63 panels
 Unshielded twisted pair wire or Fiber optics

*1 These loop devices do not have their own addresses.
 *2 Bells should not be mixed with other NAC devices on the same circuit.